



Manufactured By
ROBAND AUSTRALIA PTY LTD



OPERATING INSTRUCTIONS

SINGLE PAN FRYERS

Models

F15, F18, & F111

Version 3

Includes

International models: ...-UK ...-F

Special Features:

- Stainless Steel Baskets
- Advanced Control Safety Systems
- Ultra-Durable Stainless Steel Elements
- Easy Clean Drip Tray



These instructions cover the models of ROBAND[®] High Performance Deep Fryers only. Although there are slight variances between models, the installation, operation, care and maintenance procedure is the same for all.

Roband® Australia is a wholly Australian owned company and has been manufacturing quality commercial catering equipment for the food service industry for more than 50 years. Roband products are engineered and manufactured to the highest standards to provide functionality, reliability and durability, and our quality products are exported world-wide.

Included in the comprehensive Roband® range are Toasters, Fryers, Milkshake Mixers, Rotisseries, Food Display Cabinets and much more.

Roband® Australia also acts as the Australian agents for Vitamix® Blenders, Noaw® Meat Slicers, Förje® Cookware, Robalec™ Soup/Rice Warmers, Robatherm Urns, Austheat® Fryers, Dipo Induction & Autofry Machines. Roband also has its own line of commercial cookware and cutlery under the Robinox® brand name.

For a complete set of brochures please contact your nearest authorised dealer or contact Roband directly at our head office.

Roband Head Office Sydney, Australia			
Roband Australia Pty Ltd 1 Inman Road Dee Why NSW 2099 AUSTRALIA		Tel: +61 2 9971 1788 Fax: +61 2 9971 1336 Email: sales@roband.com.au Web: www.roband.com.au	
International Agents For additional agents please email Head Office			
Cyprus:	United Catering Equipment Supplies Ph: +357 777 777 24	Switzer-land:	Burgi Infra Grill Ph: +41 418 554 552
Fiji:	Hotel Equipment Ltd Ph: +679 672 0666	Thailand:	Seven Five Distributors Co Ltd Ph: +662 866 5858
Hong Kong:	Chung Wah Kitchen Machine Ltd Ph: +852 2334 5411	United Arab Emirates:	Boncafe Middle East LLC +9714 282 8742
Malaysia:	Allied Food Equipment Ph: +603 9133 5833	United Arab Emirates:	Nisa Trading LLC +9714 396 6132
Maldives:	Radiant Heat Maldives Pty Ltd Ph: +960 333 4845	United Kingdom:	Metcalfe Catering Equipment Ph +44 1766 830 456
New Zealand:	Roband New Zealand Ph: +649 274 1354	USA:	Condon & Fisher International Ph: +1 508 361 9226
Noumea:	Comptoir Materiel Professionnel Ph: +687 28 50 43	USA:	Condon & Fisher International Ph: +1 508 361 9226
Papua New Guinea:	Brian Bell & Company Pty Ltd Ph: +675 325 5411	NETHERLANDS:	AKB Bert Muller Ph: +31 306 017 442
Singapore:	Allied Foodservice Equipment Ph: +65 62525880	GREECE:	K&N Engineers Ltd Ph: +30 210 520 0440

© Copyright 2014 – Roband® Australia Pty Ltd

All rights reserved. No part of this work may be reproduced or copied in any form or by any means, electronic or mechanical, including photocopying or posting to a website, without the written permission of the publisher. The material contained within this document is intended entirely for instructional purposes.

CONTENTS

INTRODUCTION	1
GENERAL PRECAUTIONS	1
PACKAGING	2
COMPLIANCE	2
INSTALLATION	3
OPERATION.....	4
GUIDELINES FOR DEEP FRYING.....	5
TIPS FOR HEALTHY FRYING	8
GENERAL SAFETY	9
CLEANING, CARE & MAINTENANCE	10
TROUBLESHOOTING.....	11
SPECIFICATIONS.....	12
CIRCUIT DIAGRAM.....	13
PARTS LIST	14
APPENDIX A	17
EC DECLARATION OF CONFORMITY.....	18
WARRANTY	20

INTRODUCTION


Congratulations on your purchase of this quality ROBAND® product. With proper care and management your new purchase will give you years of trouble free service.

By reading these instructions carefully you can ensure that this machine is used and maintained properly, helping your new investment to perform well for you now, and to continue performing in the many years to come.


GENERAL PRECAUTIONS

This machine must only be operated by qualified person(s) who are fully versed in the operating and safety instructions described in this manual. Servicepersons should be instructed to familiarise themselves with any and all safety instructions described in this manual prior to commencement of any maintenance or service.

In the case of new personnel, training is to be provided in advance. These machines should not be operated by persons (including children) with reduced physical, sensory or mental capabilities, or lack of experience or knowledge, unless they have been given supervision or instruction concerning the safe use of the appliance by a person responsible for their safety.

 These machines are heating units, and as with any commercial heating unit the surfaces on these Fryers will get hot. Always be careful when near an operating fryer, and ensure that any risk to unwary customers or staff is minimised with additional signage if necessary. Due to the obvious heat hazard Roband recommends that these units be kept out of reach of children.

These Fryers are for use with oil. The machines are not designed for use with water for such task as cooking pasta, and any such misuse will void the warranty.

 The machine should be disconnected from all power and allowed to cool before cleaning.

ROBAND WILL ACCEPT NO LIABILITY IF;

- ◆ Non-authorized personnel have tampered with the machine.
- ◆ The instructions in this manual have not been followed correctly.
- ◆ Non-original spare parts are used.
- ◆ The machine is not cleaned correctly, with the right product.
- ◆ There is any damage to the unit.

PACKAGING

All care is taken when packing and Roband ensures that every unit is functional and undamaged at the time of packaging.

The Package of these Fryers should include:

- 1) One Fryer (appropriate model)
- 2) Fryers Basket(s)
- 3) This Manual
- 4) One Control Box(appropriate model)
- 5) Packaging Materials

Any damage to the machine as a result of freight must be reported to the Freight Company and to the agent responsible for the dispatch of said unit within 24 hours of receipt. No claims will be accepted or entertained after this period.



COMPLIANCE



RCM:

Roband® products have been designed and manufactured to comply with any and all specifications set out by the Australian Communications and Media Authority (ACMA) in regards to Electromagnetic Compatibility. As testament to such compliance these units bear the RCM symbol.

For further information contact the Australian Communications Authority, PO Box 13112, Law Courts, Melbourne VIC 8010.

CE:

Roband® products bearing the CE compliance mark have been designed and manufactured to comply with European Standards and Directives. A copy of the CE Declaration of Conformity is located at the back of these instructions.

ACSS (ADVANCE CONTROL SAFETY SYSTEM):

The ACSS framework is a stringent and specific set of voluntary requirements aimed at the electrical safety, reliability and longevity of equipment used in the foodservice industry.

The ACSS framework has been developed as both a guide to the engineering and development of products as well as a guarantee to consumers that Roband equipment bearing this mark not only meets the requirements of the Australian Standards, they exceed them.

A unit bearing the ACSS mark is your guarantee that you are purchasing a machine built to far exceed the Australian standards. The unit has been designed to be safer, particularly from an electrical aspect, and last longer than similar units on the market today.

INSTALLATION

- ⇒ Remove all the packaging materials and tape, as well as any protective plastic from the machine. Clean off any glue residue left over from the protective plastic using methylated spirit.
- ⇒ Place the fryer on a firm, level surface in the required position. The feet can be adjusted for an uneven surface. Take a moment to familiarise yourself with the general arrangement of the fryer before going any further.
- ⇒ National Standards exist outlining the positioning, spacing and ventilation requirements when installing new appliances. These Standards should be consulted and new equipment should be installed accordingly. In any situation where specifications allow a distance of less than 100mm we would still recommend that a well-ventilated air gap of not less than 100mm be maintained. If the machine is near particularly heat-sensitive materials common sense should be employed in determining sufficient distancing.
- ⇒ The element and controls are designed as separate components to the body and pan. These are collectively referred to as the control box. The main switches, thermostats and pilot lights are located on the face of the control box.
- ⇒ The control boxes can be tilted back and rested in the upright position or removed altogether from the fryer body. Once removed, the pans may then be removed by sliding your fingers beneath the lip and lifting them out.
- ⇒ Before connecting the fryer to the power supply ensure that all the controls are in the "OFF" position.

Australian Models

- ⇒ For model F15, plug the control box of the fryer into a standard, single phase, 10Amp power point. Note that 10A machines can also be used in a 15A power point.
- ⇒ For models F18 and F111, plug the control box of the fryer into a standard, single phase, 15Amp power point. These models will not plug into a 10A powerpoint.

Overseas Models

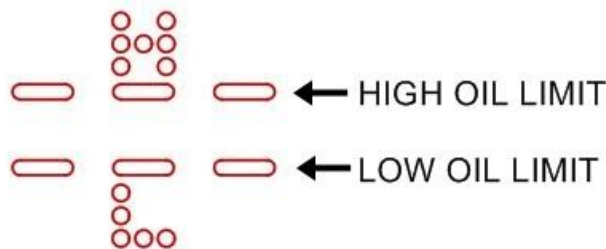
- ⇒ Please check the current capacity of your power point and choose your machine accordingly.

RCD Protection

We recommend the use of an RCD (Residual Current Device) rated at not less than 30mA for circuit protection when using these units. Note that if one RCD is used to protect multiple socket outlets, the RCD shall be appropriately rated so as to allow up to 30mA from these machines alone.

OPERATION

- ⇒ Before connecting the fryer to the power supply ensure that all the controls are in the “OFF” position.
- ⇒ Place the pan in the fryer body. Place the control box in position and ensure the element guard is placed over the element in the bottom of the pan.
- ⇒ Fill the pan with the required volume of oil. **Refer to the safety note below regarding “solid” oil.** Refer to the specifications at the end of these instructions, for the correct volume of oil for your particular model. Do not fill to a level above the “High” marker, on the back element guard (see below), as this could result in overflows of oil. Never allow oil to fall below the minimum oil level as operation of the unit in this manner could result in a fire.



- ⇒ Rotate the main switch to the “ON” position. The green pilot light will illuminate, indicating that the power is on. Rotate the thermostat knob to select the desired cooking temperature.
- ⇒ For cooking, a setting of between 170° and 180°C should suffice but experience will dictate the best temperature for the particular food being cooked.
- ⇒ When the temperature has been set the amber pilot light will illuminate, indicating that heating is taking place. When the oil has reached the set temperature the amber pilot light will go out. The thermostat will then continue to cycle on and off, maintaining the set temperature. The amber pilot light will also cycle on and off with the thermostat.
- ⇒ **IMPORTANT for Solid Oil:** The fryer thermostat cannot control the temperature of “solid” oil, only liquid oil. Therefore, if using “solid” type cooking oil, this **must** be melted very slowly by turning the thermostat on to the lowest setting for about 10 to 15 seconds, then off for a similar period. Repeat this process until the level of **liquid** oil reaches the minimum oil level mark. This manual ON-OFF process is important to prevent the possibility of any oil igniting, whilst the solid oil is melting.
- ⇒ **Extra Virgin Olive Oil:** The smoke point of Extra Virgin Olive Oil is considerably lower than the more refined Olive oils and should not be used for high temperature frying. Note that Extra Virgin Olive Oil loses any health benefits once heated for deep fryer application. Extra Virgin Olive Oil is not recommended.
- ⇒ **WARNING:** Always turn both the thermostat and main switch “OFF”, and allow element to cool before lifting the element out of the oil.

- ⇒ **WARNING: Immersing a hot element in oil could cause a fire.** Ensure the elements are not active and/or hot, when inserting into oil.
- ⇒ **WARNING:** always be careful when cooking frozen or over-wet food products as these items are more prone to surge-boiling (where the “froth” on top of the oil increases and can lead to an overflow of boiling oil and water) and are more likely to result in the “spitting” of hot oil. It is always safer to fryer smaller batches of product (never more than 0.5Kg) as this will reduce the surging effect.
- ⇒ **WARNING:** Ensure that oil is changed or filtered regularly. Old or dirty oil has a lower flash point and is more prone to surge boiling.

GUIDELINES FOR DEEP FRYING

Use thick, straight cut chips (greater than 13mm), or wedges



- ⇒ Thin chips and crinkle chips absorb more oil and therefore use up more oil from the fryer, and are more fattening.
- ⇒ If the chips are frozen, don't thaw. Water from thawed chips damages the oil

Cook at 180°C



- ⇒ Food won't cook more quickly at temps above 180°C.
- ⇒ Higher temperatures degrade the oil.
- ⇒ Lower Temperature produce greasy food

Cook chips in a separate fryer



- ⇒ Fresh batter mix used for battered food, crumbs from crumb coatings, seasonings, sausages and seafood all damages the oil.
- ⇒ If you have enough fryers, keep one fryer for chips only, this oil will last longer.

Cook chips for 3-4 minutes



- ⇒ Use a timer.

Avoid big drops in oil temperature



- ⇒ Big drops in temperature will damage the oil more quickly.
- ⇒ Put small loads in the baskets.
- ⇒ If you have enough fryers, put baskets in alternate fryers.
- ⇒ Keep fryers topped up with fresh oil. Don't top up whilst cooking food.



Drain food well

⇒ Vigorously shake the basket of cooked food twice and hang it for at least 20 seconds over the hot fryer. This returns some oil to the fryer, and is less fattening.

Look for signs of oil degradation

⇒ If the oil is damaged (eg dark colour, smoking) discard it all.



⇒ Degraded oil:

- Cooks more slowly.
- Uses more electricity to cook the food.
- Takes longer to get back up to temperature.

Filter oil daily



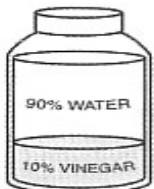
⇒ Use a funnel or a filtering machine.

⇒ The cost of a filtering machine will be offset by your savings on the oil.

⇒ Filtering extends the useful life of the oil.

⇒ Skim the surface of the oil frequently while cooking.

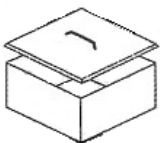
Clean fryer frequently



⇒ Detergent damages the oil. If you use detergent, rinse well after with a solution of white vinegar and water (1 cup of vinegar in a 20 litre bucket of water.) Finally rinse with water.

⇒ Occasionally it may be necessary to fill the fryer with water and boil 15-30 minutes to help loosen any gum formed on the fryer.

Cover the fryer when not in use



⇒ As light, dust and air damage oil, cover the fryer overnight and other times during the day when oil is cool.

BASKET CAPACITY GUIDELINES

All countertop fryers use the same basket. The basket can carry approximately 1kg of chips when filled to the rim. However it is not recommended to cook at full capacity.

⇒ If an overfilled basket is placed into the oil it will:

- Create an Oil surge (bubbles) that may overflow the tank
- Reduce the oil temperature too much which
 - creates soggy, fatty chips
 - lengthens the cook time
 - degrades the oil
 - use more oil

⇒ Each application and preference will differ, but a general guideline for chip capacity is

- F15 = 0.6kg
- F18 = 0.8kg
- F111 = 0.6kg per basket (less if both baskets are cooking simultaneously)

ADDITIONAL DEEP FRYING GUIDELINES

⇒ For frozen foods, direct from freezer to fryer, allow 5° higher temperature or slightly longer cooking time.

⇒ Always shake the cold water and ice from frozen foods before frying.

⇒ As a general rule, for larger items of food, cook at a lower temperature for a longer time.

⇒ For smaller items of food, cook at a higher temperature for a shorter time.

⇒ Keep salt away from the cooking oil – don't salt chips whilst they are hanging over the oil tank.

⇒ Turn fryer to 140°C during quiet times to save power and save the oil.

⇒ Top up the cooking oil regularly.

⇒ Never use copper or brass utensils in the cooking oil. They will react with hot oil, causing degradation.

TIPS FOR HEALTHY FRYING

Are you concerned about your customers' health? Would you like to improve the flavour and nutritional value of your fried product? And would you like to save money doing so? Then read on and take the first step towards a higher quality healthier product that actually can help save you money...

SAVING COSTS, IMPROVING OIL LIFE AND INCREASING EFFICIENCY

Food quality and operating efficiency is improved by cooking in regularly filtered oil. Long oil life can be achieved by frequently filtering the fat and oil inside the deep fryer. This allows the oil to work at greater efficiency for a longer time.

This improvement can be associated with increased efficiency; including power cost savings and a longer fry life for the fat or oil.

Several factors that shorten the fry life of the oil include the presence of water, emulsifiers, seasoning, light and detergent.

VARIOUS TYPES OF FATS AND OILS

Different types of oil or fat used to fry foods affect the overall nutritional quality of the finished product. Many of the various types of fats and oils available on the market are not suitable for cooking over long periods of time at high temperatures, as happens in deep-frying.

- ⇒ **Tallow-based (Beef) Fats** - The most commonly used fat due to its cheaper cost and relatively longer fry life. This oil is not recommended due to its association with increased heart disease risk.
- ⇒ **Liquid Vegetable Oils** - Whilst most vegetable oils are recommended for cooking, many of them are not suitable for deep-frying. Higher temperatures break down the oil faster and by-products often have an off-flavour and that may also increase heart disease risk.
- ⇒ **Hardened/Creamed Vegetable Oils** - These products may have a longer fry life than their liquid oil equivalents, but the hardening process increase heart disease due to the components added.

The Heart Foundation recommends healthier oils. Please check their website:

<http://www.heartfoundation.org.au/>

⚡ SAFETY ⚡

GENERAL SAFETY

This machine contains no user-serviceable parts. Roband Australia, one of our agents, or a similarly qualified person(s) should carry out any and all repairs. Any repair person(s) should be instructed to read the Safety warnings within this manual before commencing work on these units.

- ⇒ Steel cutting processes such as those used in the construction of this machine result in sharp edges. Whilst any such edges are removed to the best of our ability it is always wise to take care when contacting any edge.
- ⇒ Particular care should be taken to avoid contact with any steel edge, and warnings should be given in regards to the danger of such contact to any repair or maintenance person(s) prior to commencement of any servicing.
- ⇒ Do not remove any cover panels that may be on the machine.
- ⇒ This unit can get very hot, ensure everyone is aware that the machine is operating and take care to avoid contact with hot surfaces (refer to installation for guide to ventilation).
- ⇒ Always ensure the power cable is not in contact with hot parts of the machine when in use, and ensure that if the cord is damaged in any way that is replaced immediately.
- ⇒ Always use original spare parts. Genuine Roband parts have been checked for compliance and reliability and the use of non-original spare parts may compromise the function or safety of these units.

SAFETY FEATURES

- ⇒ All fryers in this range are equipped with a thermal overload.
- ⇒ The thermal overload's function is to cut power to the fryer when the oil temperature reaches 238°C, thus preventing the oil reaching flash point temperature.
- ⇒ See Trouble shooting of the thermal overload occurs

GENERAL FIRE SAFETY

- ⇒ Before using any fryer adequate safety measures should be in place. Such measures should include, but not be limited to, having an appropriate fire extinguisher or fire blanket located nearby in case cooking oil ignites.

CLEANING, CARE & MAINTENANCE

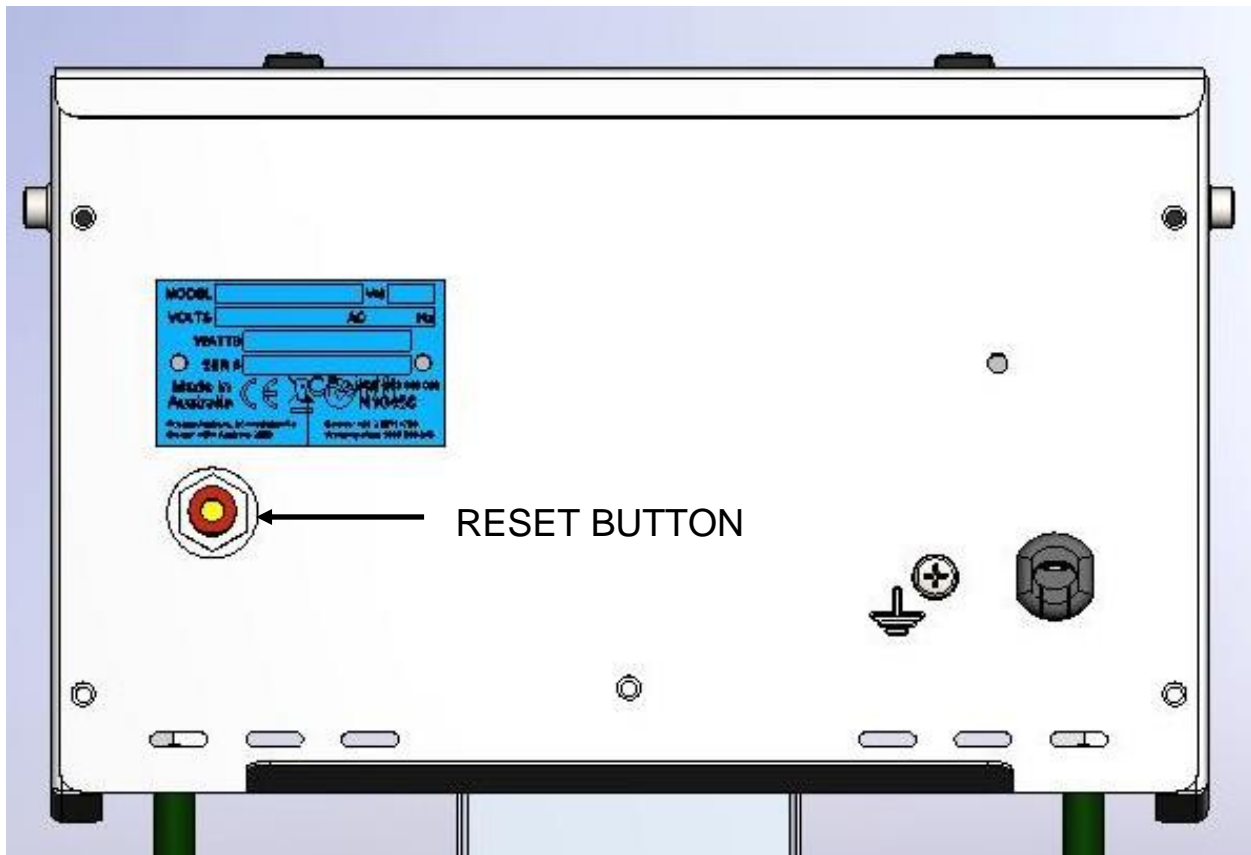
Attention to regular care and maintenance will ensure long and trouble free operation of your fryer.

- ⇒ The Fryer should be cleaned out daily, or more often if necessary.
- ⇒ Ensure the power is off and the fryer is cool before attempting to drain the cooking oil or clean any part of the machine.
- ⇒ Wipe the fryer down with warm soapy water using a **damp** sponge or cloth. **Do not** immerse the control box or any part of the control box in water.
- ⇒ Filter the cooking oil daily if the fryer is constantly in use.
- ⇒ Empty and wash the drip tray at the bottom the fryer regularly. The tray is removed by simply sliding it out.
- ⇒ Although every care is taken during manufacture to remove all sharp edges, care should be taken when cleaning to avoid injury.
- ⇒ **Caution:** Some cleaning agents can damage stainless steel or the polycarbonates and plastics used in switches and pilot lights, usually through prolonged use. For this reason we recommend cleaning with soapy water only. Any damage to the unit through the use of harsh or improper cleaning agents is entirely the fault of the user.
- ⇒ **Warning:** No parts of this these units, with the exceptions of the oil pan and drip tray, should ever be immersed in water for cleaning or any other purposes.
- ⇒ **Note:** We recommend that all electrical appliances be inspected annually with reference to applicable Australian or local Standards to ensure that compliance with changing Standards is maintained. Such inspections should be carried out by a suitable person conversant with the latest Standard updates.

TROUBLESHOOTING

If the fryer does not function check the following points before calling for service.

- ✓ Check the control boxes are plugged in correctly and the power switched on.
- ✓ Check the power points are not faulty.
- ✓ Check the temperature has been set correctly and the thermal overload has not tripped. To reset a tripped temperature overload switch, press the red button behind the control box as indicated in the picture below. Frequent tripping of the overload indicates a problem. Contact service.



- ✓ Check if the thermostat knobs are not loose or broken, rendering the thermostats inoperable.

SPECIFICATIONS

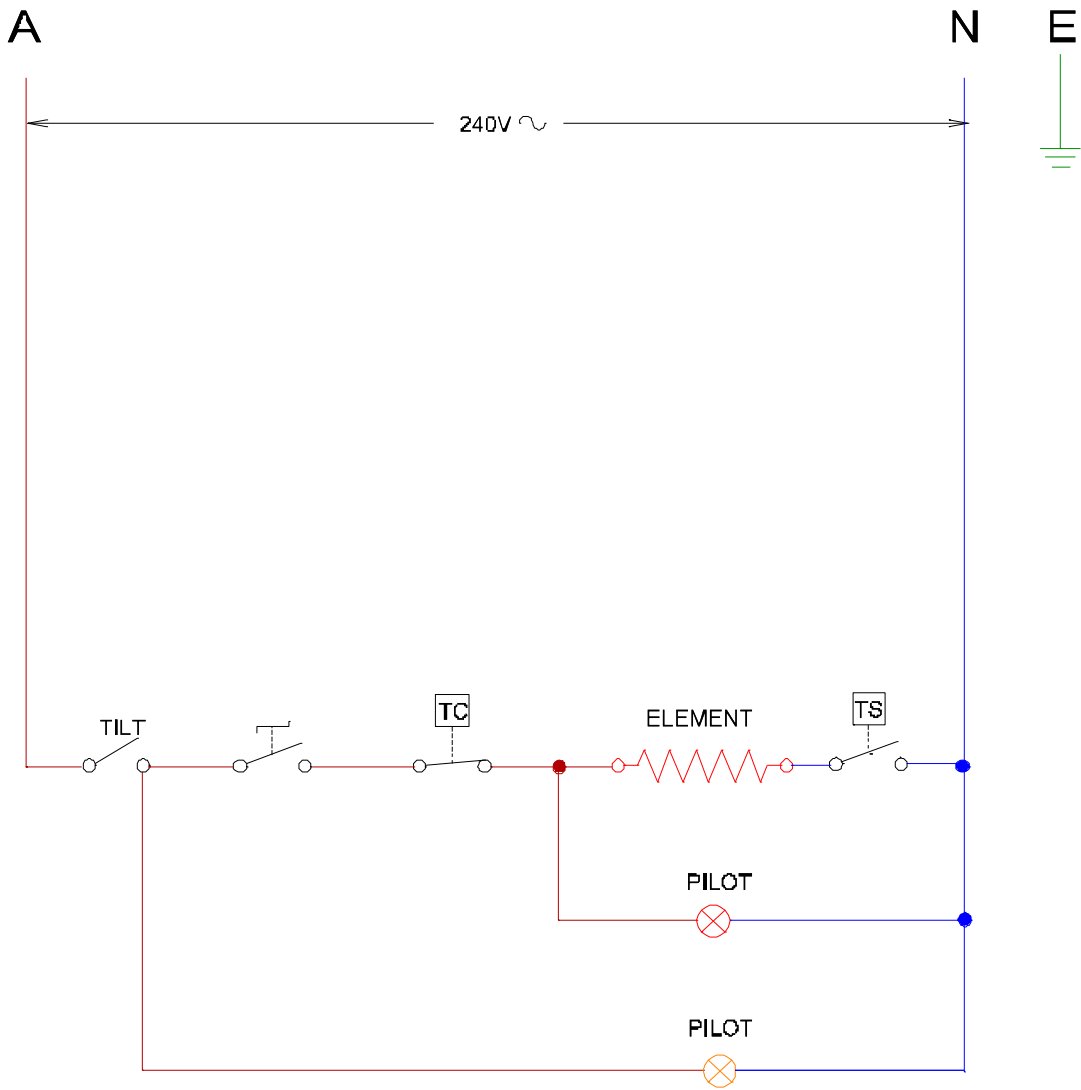
Model	Power	Tank Oil	Baskets	Heat up 180°C	Thawed Chips kg/hr*	Frozen Chips kg/hr*	Nominal Dimensions w x d x h (mm)
F15	2300W	5 L	1	11min	7.0	6.5	275x425x340mm
F18	3450W	8 L	1	13min	10.5	10.0	275x425x390mm
F111	3450W	11L	2	18min	14.0	12.5	545x425x340mm

* Style of chip will alter hourly production rate

Constant Research & Development may necessitate machine changes at any time.

CIRCUIT DIAGRAM

MODELS: F15, F18, F111



NOTE: Tilt switch for UK models ONLY.

TC – Thermal cut-out

TS – Thermostat

NOTE: This circuit diagram has been provided for reference and to assist qualified service and repair agents only. Under no circumstances should a person not suitably qualified attempt repairs to any electrical equipment

PARTS LIST

F15 PARTS LIST

PART NO	DESCRIPTION	QTY
EC0010	Pilot Light - Amber 9.6mm	1
EC0031	Terminal Block - Porcelain/Steatite "1602", L & N marked, 10mm sq.	1
ES0183	Pilot Light - 9mm Green	1
ES0239	Plug & Cord - 10 Amp Black Thermoset Elastomer - 2BL 1E	1
EC0007	Rotary Switch & Plain Knob - 2 position	1
HC0048	Element - 2300W 230V	1
MC0038	Basket – Benchtopy Fryers	1
MC0067	Universal Stuffing Gland	2
MS0033	Basket Bar & Screws	1

PART NO	DESCRIPTION	QTY
PC0060	Cord Clamp - 10A	1
PC0011	Food Set & Nuts	1
PS0021	Knob & S/S Screw	1
SS0444	Drip Tray	1
SS1205	Element Guard – Slide On	1
TC0026	Thermostat – Limit 240°C -13K	1
TS0005	Thermostat – 205°C & Plain Knob	1
VS0111	Control Box Complete – F15/F25	1
VS0238	Lid (with basket handle cutout) with Knob and Screw	1

F18 PARTS LIST

PART NO	DESCRIPTION	QTY
EC0010	Pilot Light - Amber 9.6mm	1
EC0031	Terminal Block - Porcelain/Steatite "1602", L & N marked, 10mm sq.	1
ES0183	Pilot Light - 9mm Green	1
ES0239	Plug & Cord - 10 Amp Black Thermoset Elastomer - 2BL 1E	1
EC0007	Rotary Switch & Plain Knob - 2 position	1
HC0050	Element - 3450W 230V	1
MC0038	Basket – Benchtop Fryers	1
MC0067	Universal Stuffing Gland	2
MS0033	Basket Bar & Screws	1

PART NO	DESCRIPTION	QTY
PC0060	Cord Clamp - 10A	1
PC0011	Food Set & Nuts	1
PS0021	Knob & S/S Screw	1
SS0444	Drip Tray	1
SS2777	Element Guard – Slide On	1
TC0026	Thermostat – Limit 240°C -13K	1
TS0005	Thermostat – 205°C & Plain Knob	1
VS0112	Control Box Complete – F18/F28	1
VS0238	Lid (with basket handle cutout) with Knob and Screw	1

F111 PARTS LIST

PART NO	DESCRIPTION	QTY
EC0010	Pilot Light - Amber 9.6mm	1
EC0031	Terminal Block - Porcelain/Steatite "1602", L & N marked, 10mm sq.	1
ES0183	Pilot Light - 9mm Green	1
ES0239	Plug & Cord - 10 Amp Black Thermoset Elastomer - 2BL 1E	1
EC0007	Rotary Switch & Plain Knob - 2 position	1
HC0052	Element - 3450W 230V	1
MC0038	Basket – Benchtopy Fryers	2
MC0067	Universal Stuffing Gland	2
MS0036	Basket Bar & Screws	1

PART NO	DESCRIPTION	QTY
PC0061	Cord Clamp - 15A	1
PC0011	Food Set & Nuts	1
PS0021	Knob & S/S Screw	1
SS0446	Drip Tray	1
SS0455	Element Guard – Slide On	1
TC0026	Thermostat – Limit 240°C -13K	1
TS0005	Thermostat – 205°C & Plain Knob	1
VS0114	Control Box Complete – F111	1
VS0239	Lid (with basket handle cutout) with Knob and Screw	1

APPENDIX A

RESIDUAL CURRENT DEVICES (RCD'S)

Also known as Earth Leakage Protection systems an RCD is a protective device that automatically disconnects the live conductors of a circuit when an earth leakage current reaches a predetermined value.

Australian and International Standards detail when and where RCD's are to be used in electrical installations, but common practice in many countries is to use a 30mA RCD in general commercial applications. This is typically done because 30mA RCD's are readily available and are used in domestic installations.

For Commercial installations, and for socket-outlets providing power to commercial heating equipment (Toasters, Bains Marie, Grillers), 30mA RCD's are typically unsuitable unless they are protecting only one device. Higher rated RCD's should be considered if protecting multiple socket-outlets, giving appropriate consideration to the type of equipment being protected.

AS/NZS3000 2.5.2 gives the following warnings that should have been taken into consideration when an RCD circuit was installed.

To avoid unwanted tripping due to leakage currents and transient disturbances, care should be taken to ensure that the sum of the leakage currents of electrical equipment on the load side of an RCD is less than 1/3 of its rated residual current.

To avoid excessive leakage current causing unwanted tripping where socket-outlets are protected by one RCD having a rated residual current not greater than 30mA, consideration should be given to the number of socket-outlets protected and the nature of electrical equipment likely to be connected to the socket-outlets.

Tubular elements (such as those used in this unit) reaching temperatures greater than 110°C are subject to moisture absorption and therefore earth leakage current generation. Should the installation and use of this unit trip an RCD the unit will need to be run on a circuit without an RCD for approximately 30-60 minutes, after which time the elements should have dried out and the machine should function normally. If you are unable to locate a circuit without an RCD please contact your supplier or contact Roband or our Agent for alternative suggestions.

EC DECLARATION OF CONFORMITY

Manufacturer	Roband Australia 1 Inman Rd Cromer NSW, 2099 Australia
Model Type	Fryers
Description	High Performance Deep Fryer-Single Pan
Date of first CE Marking	1 st March 2008
Specific Models	F15, F18, F111

STANDARDS:

This machine is designed in compliance with

- Machinery Directive 2006/42/EC
- Low Voltage Directive 2006/95/EC
- EMC Directive 89/336/EEC including amendments to 93/68/EEC
- WEEE Directive 2002/96/EC (WEEE)
- Restriction of Hazardous Substances in Electrical and Electronic Equipment 2002/95/EC (RoHS)
- EN60335.1 Household and similar Electrical Appliances
- EN60335-2-48 Commercial Electric Toasters and Grillers
- EN55014.2: 1997 Electromagnetic compatibility. Requirements for household appliances, electric tools and similar apparatus. Immunity.

ENVIRONMENTAL:

This product is designed in order to contribute as little as possible to the quantity and noxious nature of waste and risk of pollution or other environmental contamination.

Packaging materials used in this machine are designed to be recyclable.

DECLARATION:

I hereby declare under our sole responsibility that the product mentioned above to which this declaration relates complies with the above-mentioned standard(s).

Roband Australia has appointed Valera Ltd as our EU Authorised Representative of:
5-7 The Glade Business Centre, Eastern Ave, West Thurrock, Essex, RM203FH, UK.
Tel: 08 45 270 4321 Fax: 0845 270 4323 E-Mail: info@valera.co.uk

Signature of Authorised Person:  Date: 14th March 2008

Print Name: Gordon Thorpe Position: Director of Engineering

NOTES

(this page is intentionally left blank)

WARRANTY

Every care is taken to ensure that no defective equipment leaves our factory and all goods manufactured by us are guaranteed against defective workmanship and materials for a period of 12 months from the date of purchase. Roband Australia's obligations pursuant to this express warranty being limited to the repair or replacement of the defective goods or materials, at is option and subject to the terms contained within this Warranty statement. Where relevant, glass, Teflon® and lamps are **not** included in this warranty and RCD tripping due to moisture absorption by Tubular Heating Elements is not considered a warranty fault.

Generally, all goods claimed under this warranty must be returned to the factory or an authorized service agent, freight prepaid, for inspection. All parts deemed to be defective will be replaced, however, no claims will be entertained for second hand products, or parts damaged in transport, misused or modified in any way without our approval. For machines that are not considered to be portable (e.g. food bars, rotisseries, large hotplates and some bain maries), on site warranty service will be provided in capital city metropolitan areas only. In all other locations, the customer is responsible for all travelling time/service call costs and payment for this will be required prior to the commencement of the repair. The labour costs to actually repair the fault will be met by the company.

Any repairs or replacement of defective goods or materials pursuant to this warranty, must be authorized by Roband Australia prior to any action being taken. The company reserves the right to reject a claim for warranty if it is not completely satisfied with the circumstances under which it occurred and any other costs incurred for false claims or faults due to incorrect usage etc. are the responsibility of the claimant. Roband Australia Pty Ltd nor any subsidiary company or Agent shall be liable for loss of profit or damage to other equipment and property except where it is in breach of the guarantees provided in accordance with Schedule 2 of the Competition and Consumer Act 2010 (Cth) or the applicable legislation from time to time.

The goods come with guarantees that cannot be excluded under the Australian Consumer Law (ACL). You are entitled to a replacement or refund for a major failure and for compensation for any other reasonably foreseeable loss or damage. You are also entitled to have the goods repaired or replaced if they fail to be of acceptable quality and the failure does not constitute a major failure.

Generally, authorized service agents are located in all areas which have authorized distribution dealers. For the name of your nearest Australian authorised service agent, please contact:

Roband Australia Pty Ltd

1 Inman Road, Cromer, NSW 2099

Warranty Number: 1800 268 848

Phone: (02) 9971 1788 Fax: (02) 9971 1336

All other countries please contact your selling Agent.

Please complete the following details and keep this card in a safe place.

NAME _____

ADDRESS _____

MODEL No: _____ SERIAL No: _____ DATE PURCHASE _____

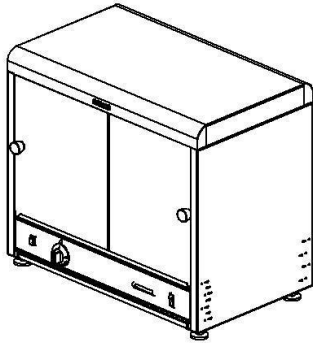
NAME OF DEALER: _____

PLEASE RETAIN THIS SECTION FOR YOUR RECORDS

DO NOT POST

ROBAND® AUSTRALIA PTY LTD

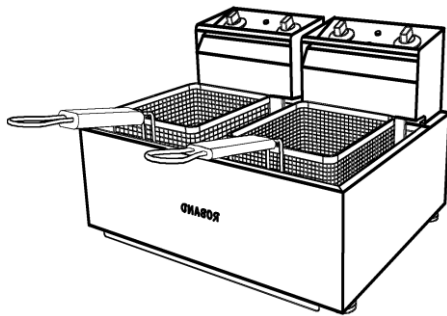
OTHER LEADING PRODUCTS AVAILABLE:



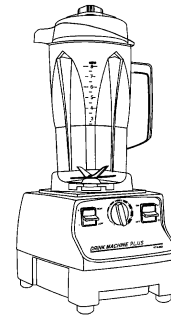
π-PLUS
PIE & FOOD WARMERS



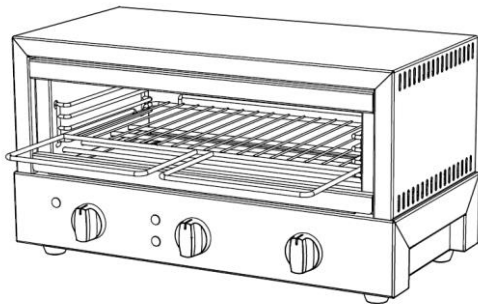
DRINK MIXERS



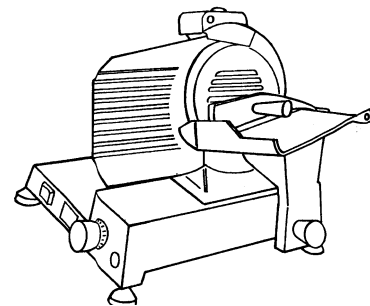
HIGH PERFORMANCE DEEP FRYERS



VITAMIX BLENDERS



GRILLMAX TOASTERS



NOAW Slicers

Manufactured/Imported in Australia by:

ROBAND
AUSTRALIA PTY LTD

Authorised Distributor/Agent